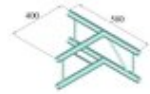
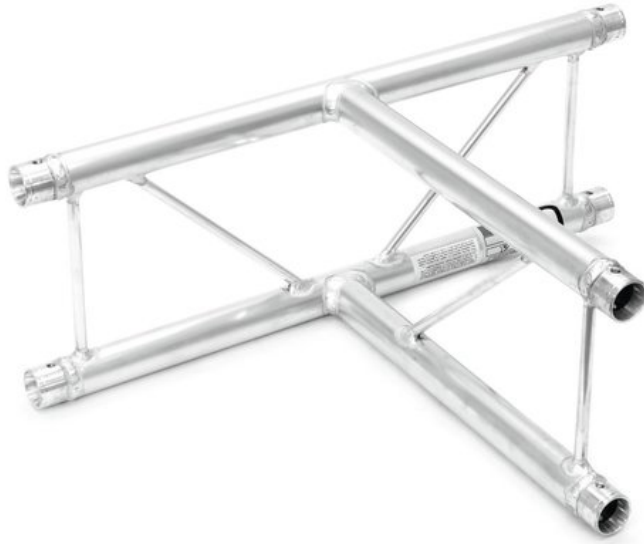


## ALUTRUSS DECOLOCK DQ2-PAT36V 3-way T-Piece 90°

Universal 2-point truss system in lightweight construction

Art. No.: 60301554

GTIN: 4026397391244



**List price: 165.41 €**

incl. 19% VAT.

### Features:

- Aluminum alloy for a classic high-tech look
- Fast, efficient and reliable assembly via QUICK-LOCK conical connectors
- An extensive selection of lengths, circular and corner elements offers maximum flexibility
- Special designs according to customer specifications on request
- Direction vertical
- Trusspipe: 35 mm
- Any RAL color available on request
- Various versions available
- Made in Europe
- For application areas such as: Shop fitting; trade fair construction; sports centres/gyms; stage; clubs/dancing school; rental; theater; Trade fair and shop fitting; installation

#### Package contents

- 2 x connection set

### Logistic

EAN / GTIN: 4026397391244

Weight: 2,25 kg

Length: 0.57 m

Width: 0.41 m

Height: 0.41 m

### Technical specifications:

Trusspipe:	35 mm x 2 mm
Color:	Alu colored; any RAL color available on request
Strut diameter x thickness:	10 x 2mm
Dimensions:	Length: 58 cm Width: 40 cm Height: 22 cm

Weight:

1,7 kg

---