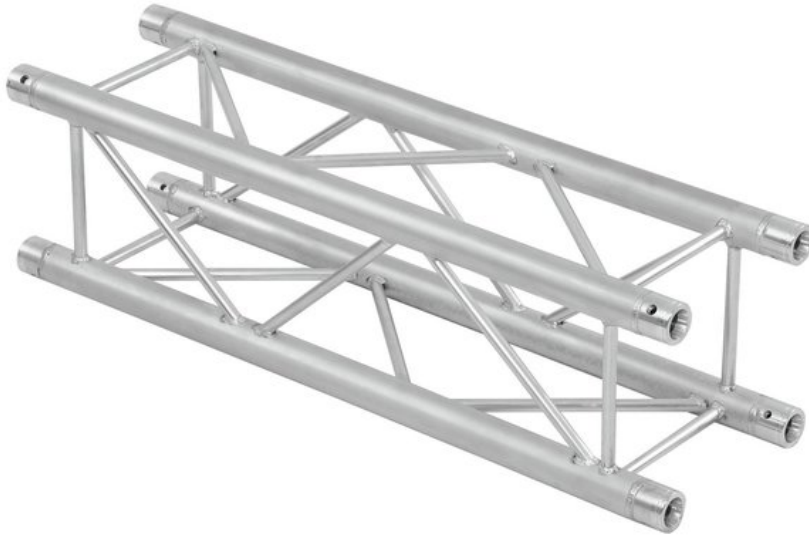


## ALUTRUSS QUADLOCK QL-ET34-710 4-way Cross Beam

4-point truss system

Art. No.: 6030674D

GTIN: 4026397581904



**List price: 260.61 €**

incl. 19% VAT.

### Features:

- Strong EN-AW 6082 alloy for high loads
- High-quality aluminum-tubes with 50 mm in diameter
- Low weight
- Distance center - center: 240 mm
- Easy installation
- Trusspipe: 50 mm
- Made in Europe
- For application areas such as: Theater; Trade fair and shop fitting; clubs/dancing school
- For further information about this product, please refer to the Data Sheet under "Downloads"

#### Package contents

- 1 x connection set

### Logistic

EAN / GTIN: 4026397581904

Weight: 6,00 kg

Length: 0.72 m

Width: 0.30 m

Height: 0.30 m

### Technical specifications:

Setup:	Easy installation
Trusspipe:	50 mm x 2 mm
Welding technique:	TIG-welding
Welding material:	AlMg 5
Alloy:	AlMgSi1 T6
Color:	Alu colored
Strut diameter x thickness:	20 x 2mm

Dimensions:

Length: 71 cm

Width: 29 cm

Height: 29 cm

---

Weight:

5,50 kg

---